

# **EMC**

## **Exam E20-562**

### **VPLEX Specialist Exam for Storage Administrators**

**Verson: Demo**

**[ Total Questions: 10 ]**

**Question No : 1**

When using VPLEX Metro, what is the supported round trip time between clusters?

- A. 5 ms
- B. 15 ms
- C. 20 ms
- D. 30 ms

**Answer: A**

**Explanation:** References:

**Question No : 2**

A storage administrator has been tasked with migrating a Microsoft SQL Server and its native EMC VNX LUNs behind a VPLEX Local cluster. However, in planning for future application growth, the database administrator wants to be able to expand the storage volumes.

Based on this information, which geometry should be selected during encapsulation?

- A. Stripped MetaLUN
- B. 1:1 Mapping
- C. RAID-0
- D. RAID-C

**Answer: B**

**Explanation:** References:

**Question No : 3**

Which VPLEX model is recommended for VPLEX for All Flash (VAF)?

- A. VS2 and VS6
- B. VS6 only
- C. VS2 only

D. VS1

**Answer: B**

**Explanation:** References:

**Question No : 4**

What is a characteristic of global commands in the VPLEXcli?

- A. Executable from any director
- B. Control tasks running on all directors
- C. Run exclusively from the root context
- D. Accessible from all contexts

**Answer: D**

**Explanation:** References:

**Question No : 5**

LUNs are being provisioned from an ALUA-capable back-end array to VPLEX. What is the path requirement for each VPLEX director when connecting to this type of array?

- A. At least two paths to every back-end array and storage volume
- B. At least two paths to both the active and passive array controllers
- C. At least two paths to both the active and non-preferred array controllers
- D. At least two paths to the active array controller only

**Answer: B**

**Question No : 6**

In preparing a host to access its storage from VPLEX, what is considered a best practice when zoning?

- A. Ports on host HBA should be zoned to either an A director or a B director.

- B. Each host should have at least one path to an A director and at least one path to a B director on each fabric, for a total of four logical paths.
- C. Dual fabrics should be merged into a single fabric to ensure all zones are in a single zoneset.
- D. Each host should have either one path to an A director or one path to a B director on each fabric, for a minimum of two logical paths.

**Answer: D**

**Question No : 7**

What is a valid target for a device data migration in VPLEX?

- A. Distributed device
- B. Device with no existing virtual volume
- C. Device with an existing virtual volume
- D. Extent

**Answer: D**

**Explanation:** References:

**Question No : 8**

How can a VPLEX storage administrator manage array-based attributes?

- A. Device tiers
- B. Storage tiers
- C. Volume tiers
- D. Extent tiers

**Answer: B**

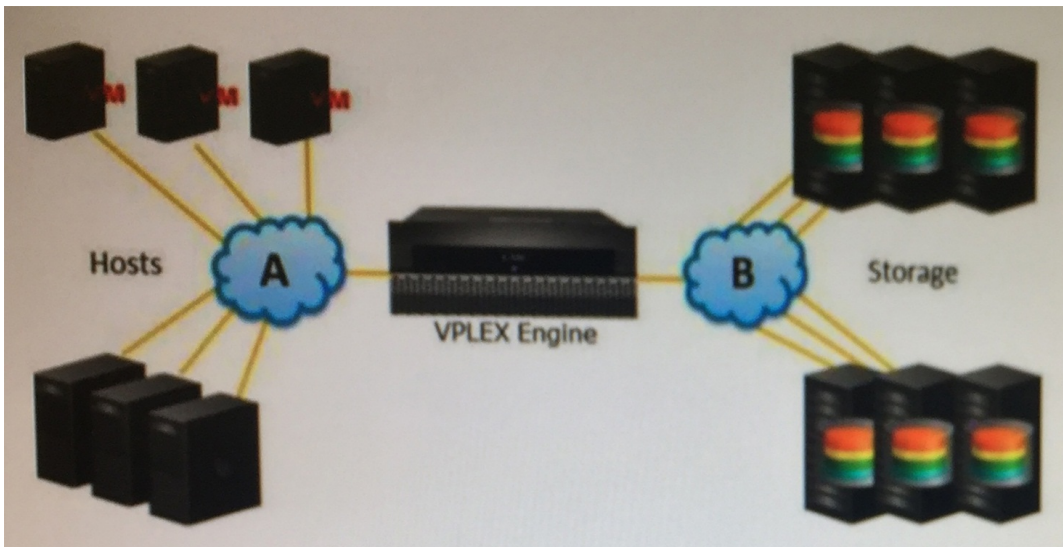
**Question No : 9**

What is a VPLEX RAID-0 device?

- A. Device that stripes data beneath a top-level device
- B. Device that concatenates data on a top-level device
- C. Extent that concatenates data on a top-level device
- D. Extent that stripes data beneath a top-level device

Answer: A

Question No : 10



Which protocol is presented by "B" in the exhibit?

- A. FC
- B. iSCSI
- C. FCoE
- D. IPFC

Answer: A

Explanation: References: