

HP

Exam HP0-Y50

Architecting HP FlexNetwork Solutions

Version: Demo

[Total Questions: 10]

Question No : 1

The customer has a virtualized data center. The virtual hosts use virtual distributed switches with multiple redundant uplinks and these update control Protocol (LACP).

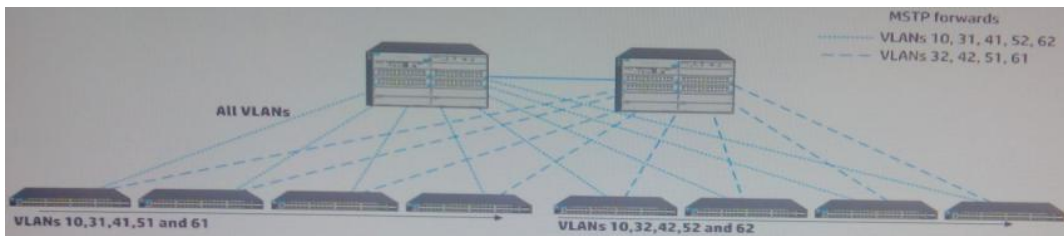
Which technology available in HP switches enhances high availability in this environment?

- A. Fiber Channel over Ethernet (FCoE) allows the virtual host to send storage traffic over the server Ethernet uplinks if the FC connection.
- B. Virtual Ethernet Port Aggregator (VEPA) combines redundant server talks into a single high-bandwidth trunk.
- C. Intelligent Resilient Framework (IRF) allows redundant server links to connect to different physical switches.
- D. Net Stream and sFlow technologies provide the built-in capability to optimize bandwidth flows dynamically.

Answer: C

Question No : 2

Refer to the exhibit.



The exhibit shows a network with HP 3500 y1 Series switches at the access layer and HP 8206 zl switches at the core. The customer with this solution has logged several support calls, which were eventually tracked down to spanning tree issues. How can a network architect adjust the solution to prevent the issue in the failure?

- A. Implement BPDU filters on the switch-to-switch links and loop protection edge ports
- B. Connect three or four 3500 y1 switches together in a group. Establish a distributed trunk between two switches in each group and the core switches
- C. Implement BPDU guard and broadcast suppression on all the switch-to-switch links
- D. Configure distributed Trunking on the two 8200 zl switches at the core. Create a distributed trunk between the core switches and each 3500 y1 switch

Answer: D

Question No : 3

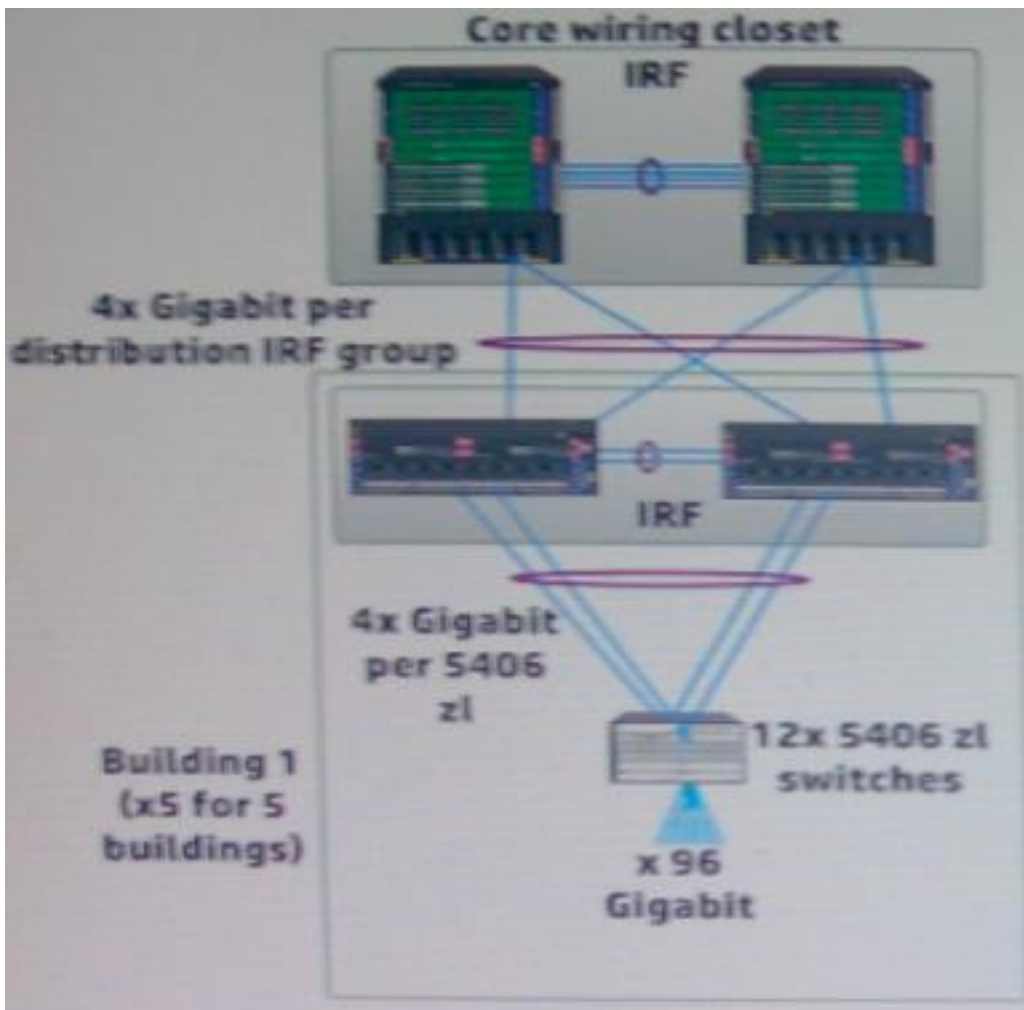
Which Flex Fabric product extends HP switch features to virtual hosts and extends HP VAN Connection Manager benefits to virtualized environments'?

- A. HP Virtual Connect Manager
- B. HP 5900v Virtual Switch
- C. HP MSR 2000 router
- D. HP Virtual Cloud Networks

Answer: B

Question No : 4

Refer to the exhibit.



A network architect has designed the topology shown in the exhibit. The Gigabit links between distribution layer and the core uses OM3 grade multi-mode fiber between 100m and 150m long.

The solution is for an enterprise customer whose employees use mostly HTTP-based applications and have medium utilization needs.

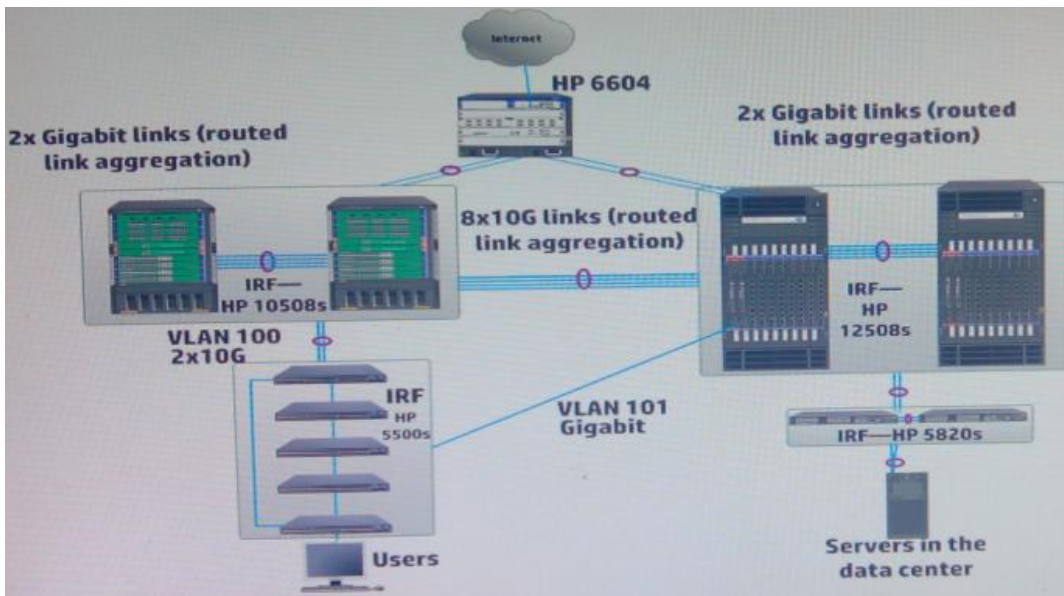
What should the network architect do to resolve a potential issue?

- A. Add more bandwidth between each pair of distribution layer switches
- B. Add more links between each modular switch at the access layer and its distribution layer switch
- C. Replace the modular switches at the access layer with switches that support stacked meshing
- D. Remove the distribution layer since it is not needed in this environment

Answer: C

Question No : 5

Refer to the exhibit.



The exhibit shows the topology for an enterprise LAN with an on-site data center. The intelligent Resilient Framework (IRF) group of HP 5500 Series switches supports a group of computers that require very high availability to the data center. Therefore, the customer has requested a backup gigabit fiber link implement Open Shortest Path First (OSPF) in a single area.

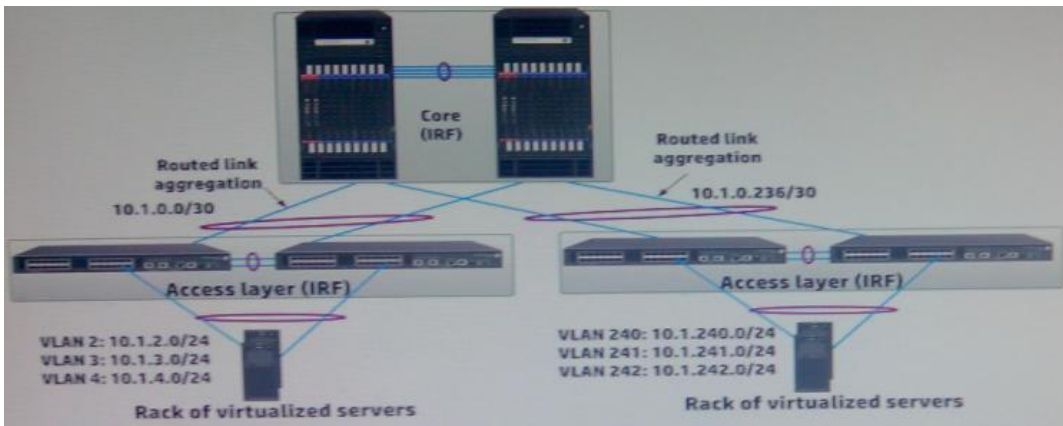
Which tasks should the network architect complete to ensure that the HP 5500 IRF group selects the correct path to the data center during normal operation?

- A. Change the reference bandwidth on the VLAN 100 interfaces to 20000
- B. Set the cost on the VLAN 100 interfaces to 2 Set the cost for the VLAN 101 interfaces to 80
- C. Change the reference bandwidth on the VLAN 101 interfaces to 1000
- D. Change the VLAN 101 interfaces as silent interfaces
- E. Change the reference bandwidth to 80000 on all routing devices

Answer: B

Question No : 6

Refer to the exhibit.



The exhibit shows a proposed design for a data center network infrastructure. The exhibit shows two racks for simplicity. The data center will actually include more racks.

The customer has these key requirements:

- ✍ The customer can scale any application and easily install new hardware that supports that application
- ✍ The network supports vMotion for live migration of virtual machine (VMs)

How should the network architect change the proposed design to meet the customer requirements?

- A. Replace the rack servers with blade enclosures
- B. Add more links between the servers and the access layer
- C. Remove routing from the access layer and extend VLANs to multiple racks
- D. Add a distribution layer between the access layer and the core

Answer: A

Question No : 7

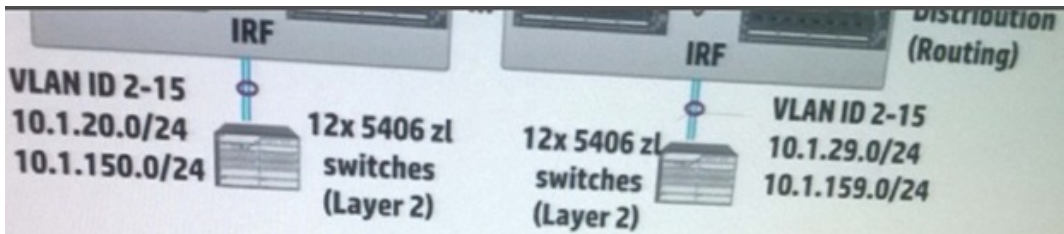
An architect is planning an HP Wired-WLAN solution for an office with approximately 4000 users who will use the wireless network rather heavily and also need to roam seamlessly. The solution will have 256 MSM 460 access points (APs). What is one reason for using two Hp Wired-WLAN controllers for this solution?

- A. Each Wired-WLAN controller can only support 128 APs
- B. The customer needs fast roaming, which requires a mobility solution between two controllers
- C. Each Wired-WLAN controller can only support 2000 users
- D. The controller can be licensed and configured to provide redundancy for each other

Answer: D

Question No : 8

The exhibit shows the topology for a network with 30 access layer switches (only two are shown). Every switch-to-switch link is a Gigabit link. Every area network (VLAN) interface runs Open Shortest Path First (OSPF) and has the IP address shown in the exhibit. The other interface settings are defaults.



The access layer switches support several more VLANs not shown in the exhibit and also run Multiple Spanning Tree protocol (MSTP) loops.

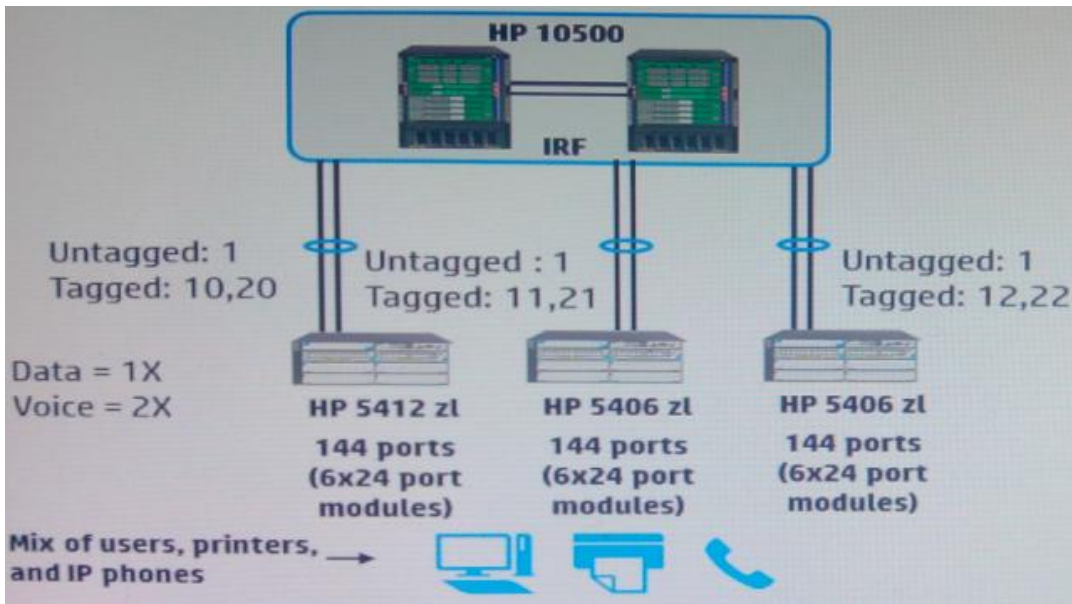
What is one recommendation for enhancing convergence time and resiliency for this solution?

- A. Place all of the switch-to-switch links in the same VLAN.
- B. Lower the cost of the VLAN interfaces to reflect the high speed of the links.
- C. Add a BPDU filter to the VLAN interfaces shown in the exhibit.
- D. Raise the OSPF times on the VLAN interfaces.

Answer: D

Question No : 9

Refer to the exhibit.



The network architect is planning network addresses for the VLANs shown. The company is using the private 10.0.0.0/8 space. Which guidelines should the network architect follow?

- A. Use a /22 subnet for each VLAN to ensure enough IP addresses for each large modular switch
- B. Implement the port isolation feature and apply several /30 subnets to each VLAN
- C. Use a /25 subnet for each VLAN to conserve the limited IP addressing space
- D. Use a /24 subnet for each VLAN for simplicity and scalability

Answer: D

Question No : 10

After analyzing a hospital's applications, the network architect identifies two life-critical applications. What is the availability requirement for a life-critical application?

- A. 99%
- B. 99.9%
- C. 99.99%
- D. 99.999%

Answer: D