

Juniper

JN0-363 Exam

Service Provider Routing and Switching, Specialist

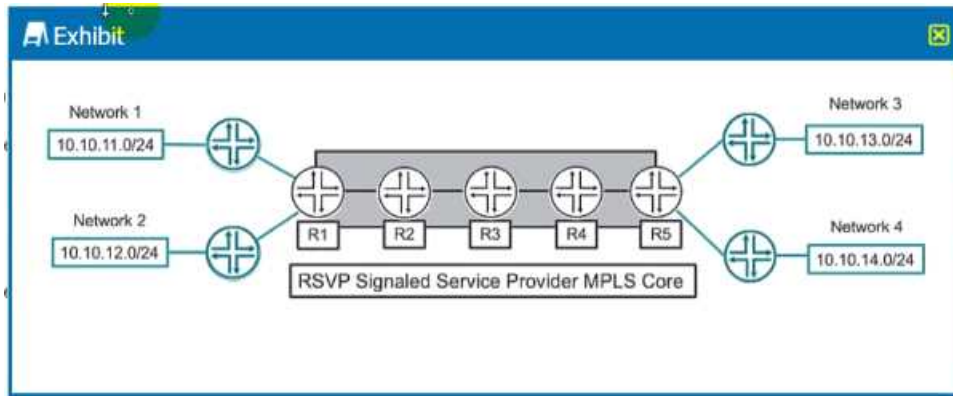
Questions & Answers

Demo

Version: 4.0

Question: 1

Exhibit button



Which two statements are correct about the service provider MPLS network shown in the exhibit? (Choose two.)

- A. R3 will perform a label pop operation on the transport MPLS label.
- B. Traffic from Network 1 to Network 3 and traffic from Network 1 to Network 4 each need their own unique label-switched path.
- C. Traffic from Network 1 to Network 3 and from Network 1 to Network 4 can share the same label-switched path.
- D. R3 will perform a label swap operation on the transport MPLS label.

Answer: AD

Question: 2

Which two statements are correct about IS-IS? (Choose two.)

- A. A level 1 only router can never form an adjacency with a level 2 only router.
- B. For level 2 adjacencies, the area IDs can be different.
- C. For level 2 adjacencies, the area IDs must be the same.
- D. A level 1 only router can form an adjacency with a level 2 only router.

Answer: CD

Question: 3

You are adding an IPv6 configuration to an Interface on a Junos device.
In this scenario, which statement is correct?

- A. The link local address must be manually configured within the fd00::/8 prefix range.
- B. The link local address must be manually configured within the fe80::/10 prefix range.
- C. The link local address is automatically created using the MAC address within the fe80::/10 prefix range.
- D. The link local address is automatically created using the MAC address within the fd00::/8 prefix range.

Answer: D

Question: 4

Which statement is correct about IS-IS?

- A. IS-IS is a distance vector routing protocol.
- B. IS-IS is a path vector routing protocol.
- C. IS-IS is a link-state routing protocol.
- D. IS-IS is a classful routing protocol.

Answer: C

Question: 5

Which new field is added to an IPv6 header as compared to IPv4?

- A. version
- B. checksum
- C. fragment offset
- D. flow label

Answer: D
